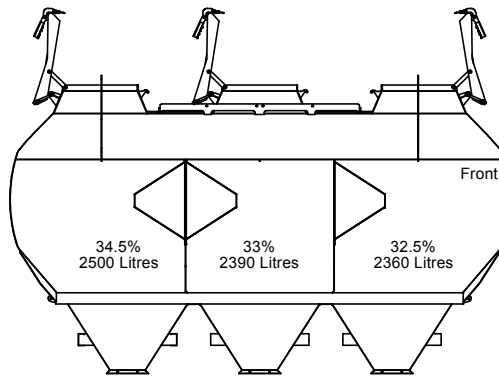
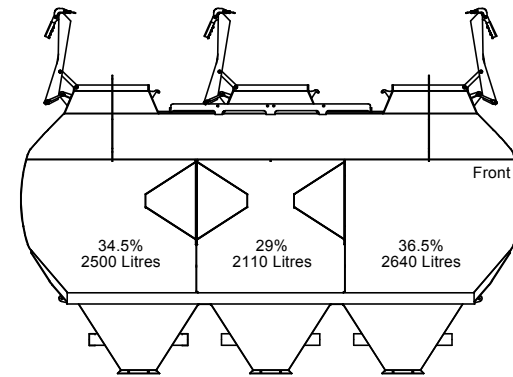


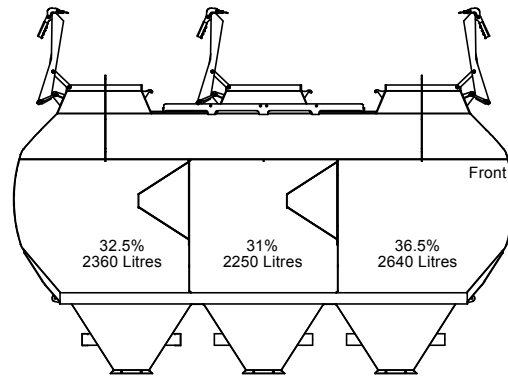
Split 1



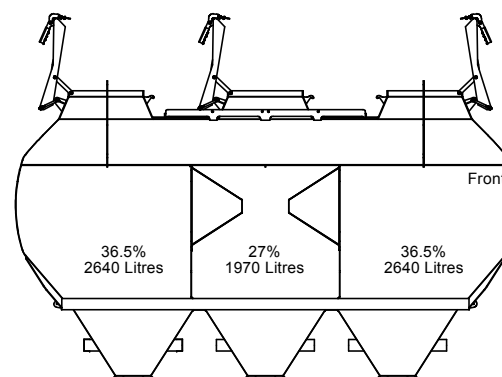
Split 2



Split 3



Split 4



Split 5

7000 2MC Triple Bin

Total Usable Volume Given
a 25 Degree Angle of Repose is:
7250 Litres

Fabrication Note

Finish:

General Tolerances

Linear Dimensions

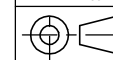
X ±1mm (whole numbers)
X.X ±0.5mm (one decimal place)
X.XX ±0.25mm (two decimal places)

Angular Dimensions

All Angles ±0.5°

This drawing is the property of
Simplicity (Australia) Pty. Ltd.
It must not be used for any
purpose other than that for
which it is supplied.
Reproduction in whole or
part is prohibited without
written authority from
Simplicity (Australia) Pty. Ltd.

DRN: BB
DATE: 7/03/2016
APPRD:
DATE: / /
SCALE: 1:50



SIMPLICITY (AUSTRALIA) PTY LTD

18 LOUDOUN RD DALBY 4405 PH (07) 4660 6000 Engineering FAX (07) 4660 6050

**Simplicity Air Seeder
Bin Splits
7000 2MC Triple Bin Splits**

DRAWING NUMBER

7000 2MC Triple Bin Splits

REV
01

SHEET
1 OF 1

A4